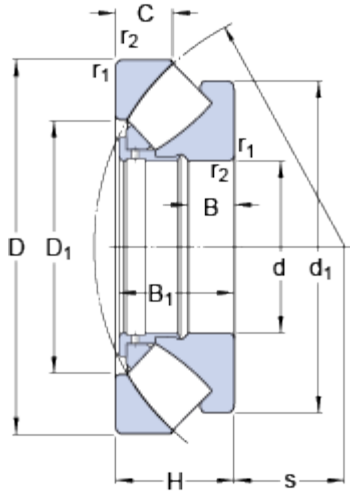


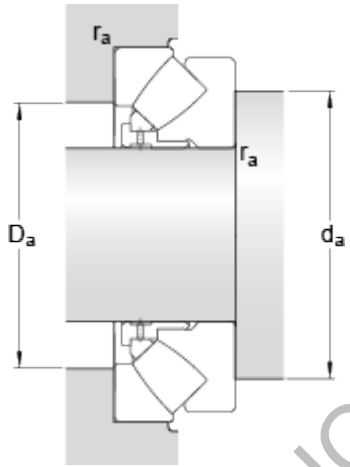
# 294/750 EF

## Dimensions



d	750	mm
D	1280	mm
H	315	mm
d <sub>1</sub>	≈ 1170	mm
D <sub>1</sub>	≈ 964	mm
B	121	mm
B <sub>1</sub>	305	mm
C	153	mm
s	436	mm
r <sub>1,2</sub>	min. 15	mm

## Abutment dimensions



d <sub>a</sub>	min. 1015	mm
D <sub>a</sub>	max. 1120	mm
r <sub>a</sub>	max. 12	mm

## Calculation data

Basic dynamic load rating	C	18700	kN
Basic static load rating	C <sub>0</sub>	85000	kN
Fatigue load limit	P <sub>u</sub>	5500	kN
Reference speed		200	r/min
Limiting speed		400	r/min
Minimum axial load factor	A	690	

## Mass

Mass bearing		1650	kg
--------------	--	------	----